



LEAPTON
SOLAR

Monocrystalline

Polycrystalline

LP156*156-P-72-H

Rated Power 340-360W



5BB Cell

More uniform current collection capability, reducing the current heat loss of the internal cells.



Low Light Features

Higher performance under low light environment.



Higher Output Power

The output power of 144 half-cells Polycrystalline modules is up to 360W.



PID Protection

Ensure the attenuation probability caused by PID phenomenon is minimized.



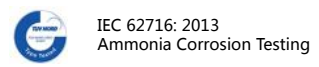
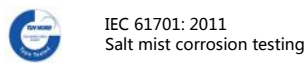
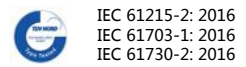
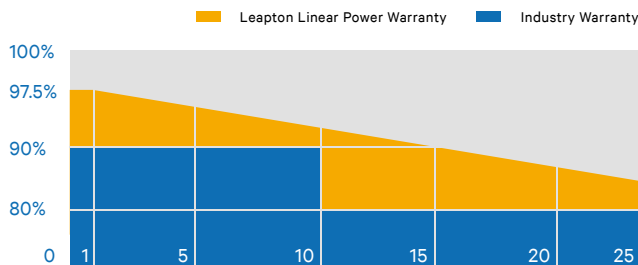
Harsh Environmental Adaptability

Strict salt spray and ammonia corrosion test by TUV Nord.



Load Capacity

Mechanical load tests including wind load 2400 Pa and snow load 5400 Pa done by TUV Nord.



Headquarter : Leapton Energy Co., Ltd.

Tosei Bldg. 6F, 1-2-1 Aioi-cho, Chuo-ku Kobe-shi, Hyogo, 650-0025, Japan

Manufacturer : Leapton Solar (Changshu) Co., Ltd.

No.55, Sunshine Avenue, Changshu City, Jiangsu, China

+81-78-382-3182

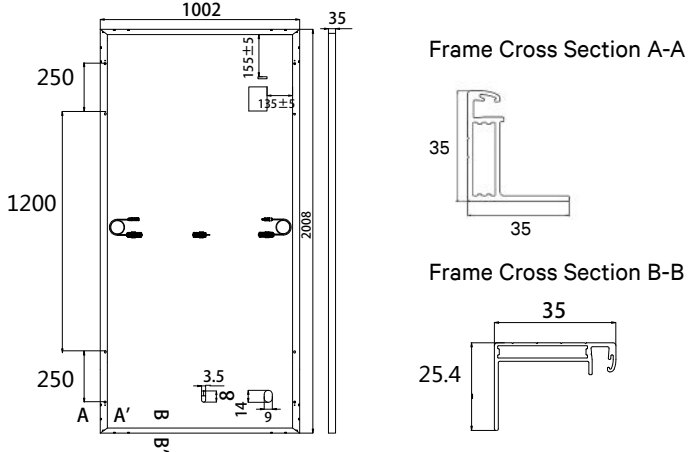
www.leaptonenergy.jp

+86-512-88800068

info@leaptonenergy.com

www.leaptonpv.com

MECHANICAL DIAGRAMS



SPECIFICATIONS

Weight	22.5kg
Dimensions	2008mm*1002mm*35mm
Cell Amount	72*2 pcs
Maximum System Voltage	1000/1500V
Junction Box	IP68
Frame	Aluminum Alloy
Cable	4mm2, Landscape: N 1300mm/P 1300mm Portrait: N 150mm/P 300mm
Connector	MC4 compatible
Application Level	Class A

ELECTRICAL PARAMETERS AT STC

Power	340W	345W	350W	355W	360W
Open Circuit Voltage	46.70V	46.90V	47.10V	47.30V	47.50V
Short Circuit Current	9.41A	9.50A	9.58A	9.67A	9.76A
Maximum Power Voltage	38.60V	38.85V	39.10V	39.40V	39.70V
Maximum Power Current	8.81A	8.88A	8.95A	9.01A	9.07A
Module Efficiency	16.9%	17.1%	17.4%	17.6%	17.9%

* Under Standard Test Conditions (STC) of irradiance of 1000 W/m², spectrum AM 1.5 and cell temperature of 25°C.

ELECTRICAL PARAMETERS AT NMOT

Power	255W	259W	263W	266W	270W
Open Circuit Voltage	43.20V	43.40V	43.60V	43.80V	44.00V
Short Circuit Current	7.53A	7.60A	7.66A	7.74A	7.81A
Maximum Power Voltage	36.25V	36.50V	36.75V	37.00V	37.25V
Maximum Power Current	7.04A	7.09A	7.41A	7.20A	7.25A
Module Efficiency	12.7%	12.9%	13.1%	13.2%	13.4%

* Under Nominal Module Operating Temperature (NMOT), irradiance of 800 W/m², spectrum AM 1.5, ambient temperature 20°C, wind speed 1 m/s.

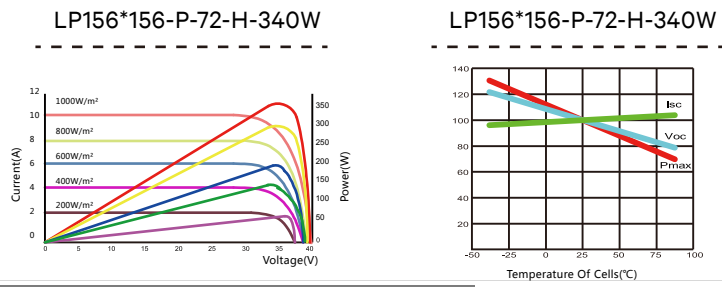
TEMPERATURE CHARACTERISTICS

NMOT	41±3°C	Temp Coefficient of ISC	+0.055%/°C
Temp Coefficient of VOC	-0.32%/°C	Temp Coefficient of Pmax	-0.41%/°C

PACKING CONFIGURATION

Modules/Pallet	31 Pieces	Modules/40'Container	759 Pieces
Packing Description	22 Pallets, Total=(31+31+7)x11=759 Pieces		

CHARACTERISTICS



MAXIMUM RATING

Output Tolerance	0~+5W
Operating Temperature	-40°C~+85°C
Wind Load/Snow Load	2400pa/5400pa
Fuse Current	15A

